

MOFLASH^{*}

SIGNALLING

“Protection by Design”

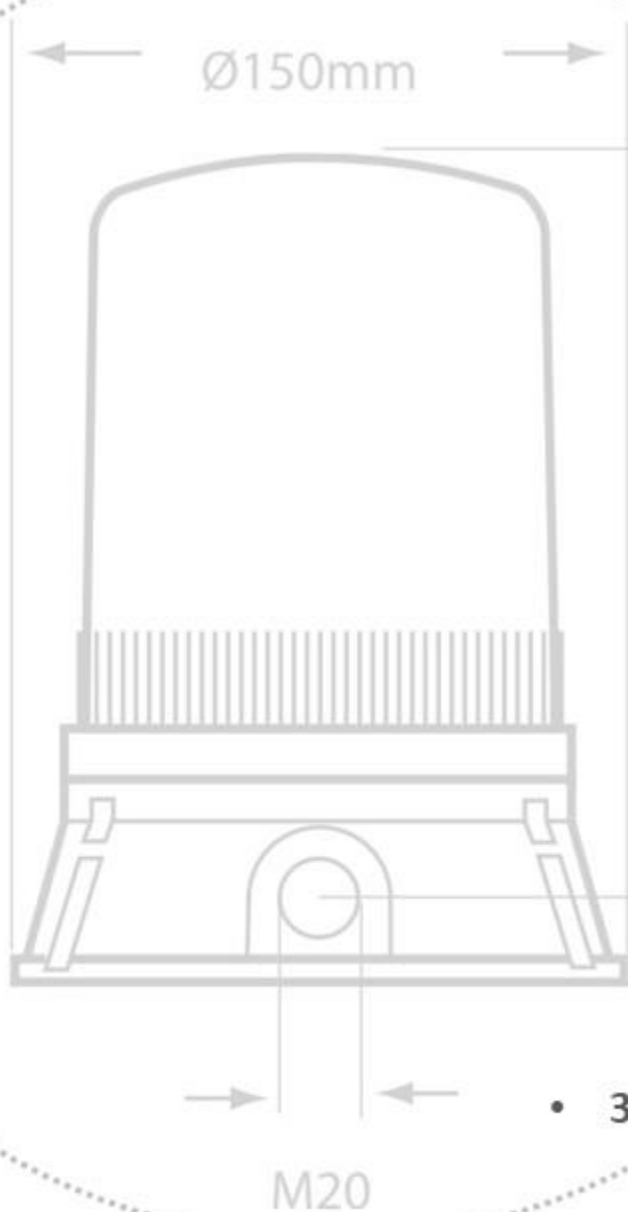


An introduction to Moflash and our products

LED Industrial Beacons



- Continuously rated
- High output LED (Xenon options available)
 - Low current consumption
 - Suitable for surface or wall mounting
- Optional wall bracket & guard available
 - 360° light output
- Ingress Protection to IP65



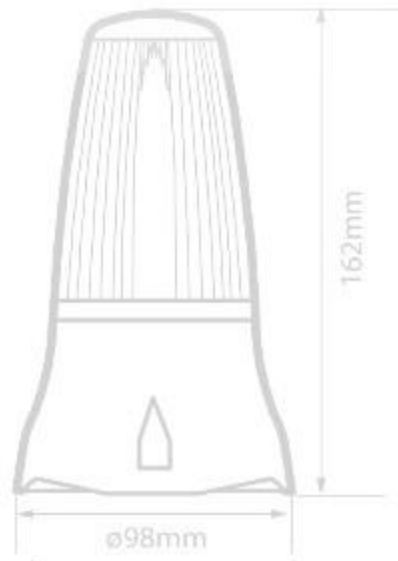
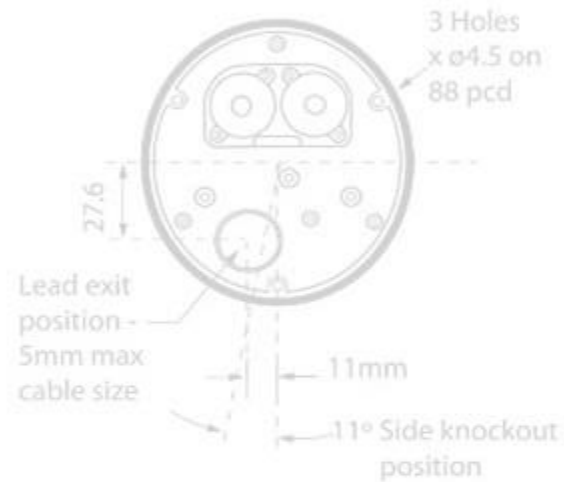
LED 401-400



- Continuously rated
- 144 High output LED Array
- 4 Stage alarm PLC/Remote control
- M20 conduit side entry or bottom cable entry
- 360° light output, UV stabilised Polycarbonate Lens
- Ingress protection to IP65
- Range of voltage inputs



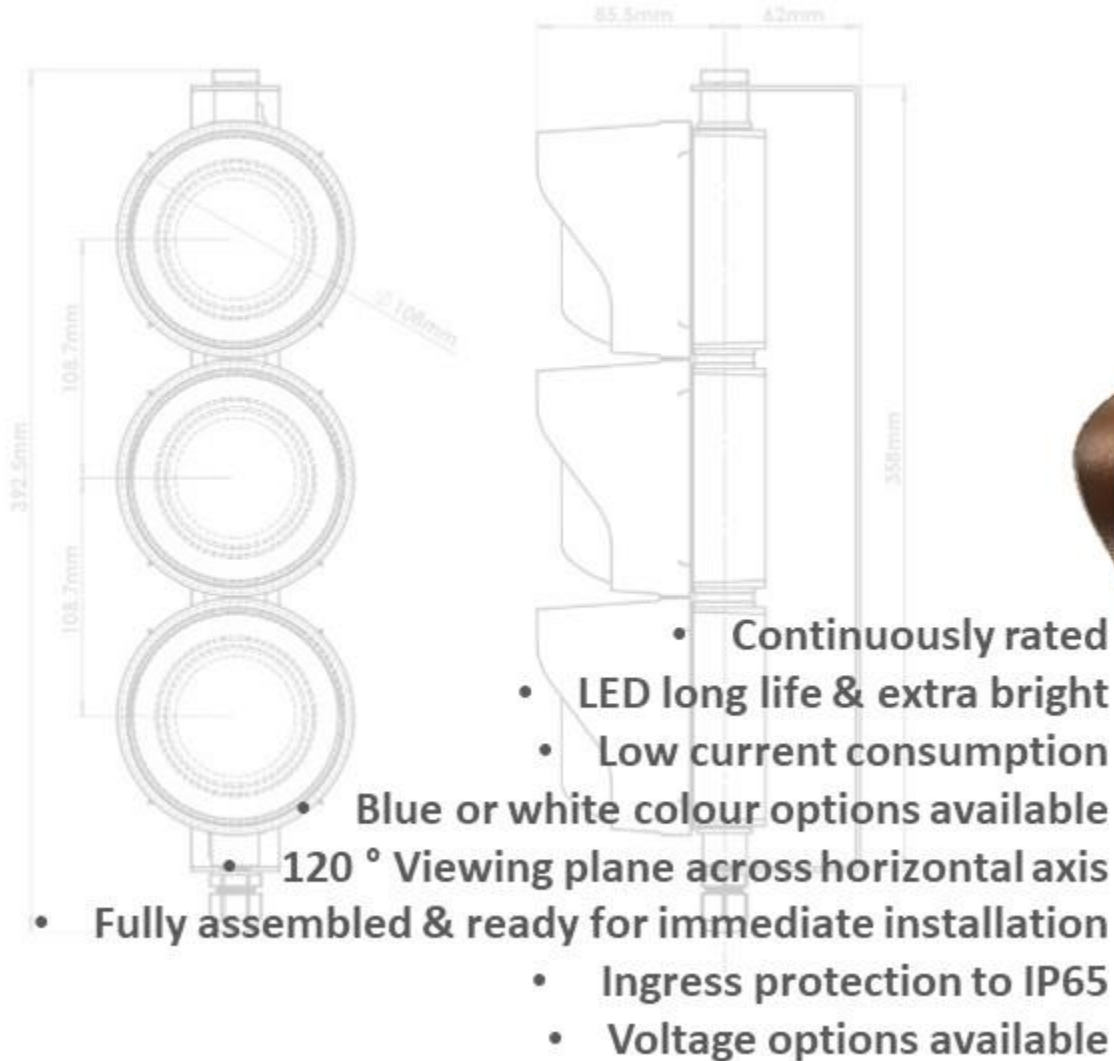
LED Tri-Colour Visual & Audible Beacon



- PLC Controllable Series
- 3 Colours + 2 Piezo buzzers Ultimate status indicator
 - Continuously rated
 - LED long life and extra bright
 - 3 point fix, Wall or surface mount
- 360 ° light output UV stabilised Polycarbonate Lens
 - Ingress protection to IP65
 - Range of voltages available



Status Indication



ECO Tower Lights



LED
Module

- Continuously rated
- LED long life, Low current consumption
- Suitable for surface mounting or with stand
- 360 ° light output around the vertical axis
 - Ingress protection to IP65
- Two types of audible signal available



Motor Driven Sirens



- Conventional motor-powered sirens
 - Continuously rated
- Suitable for wall or pole mounting
 - Omni-directional 360 ° coverage
- Very high sound output – Up to 135 dB
 - ATEX options available

Bells & Buzzers



- Bells
 - Anti Tamper gong bolt
- Railways, Ships and Alarm Systems
 - Ingress protection up to IP66
 - Piezo Buzzers
 - Continuously rated
 - Economical, Compact design
- Suitable for panel or surface mounting



Klaxon EN54 – Nexus & Sonos



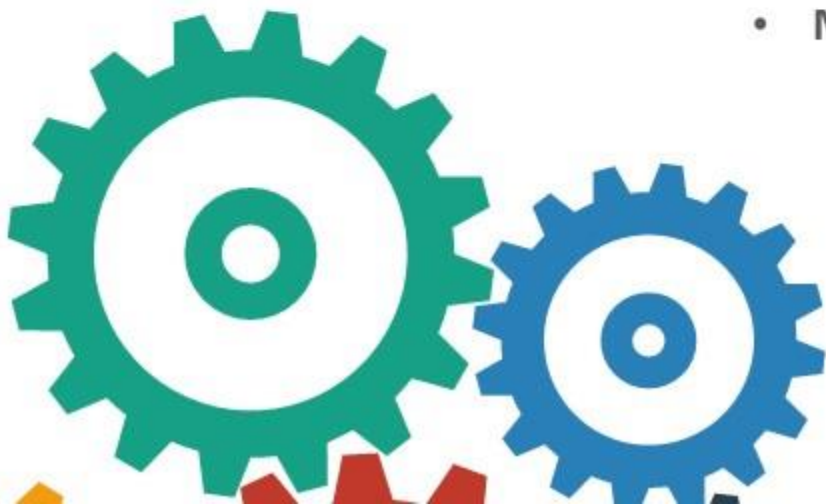
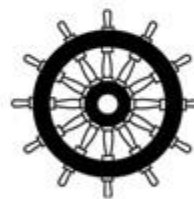
- EN54 Pt 3 & 23 VDS Approvals
- Up to 15m Coverage Volumes, Synchronised Flash
 - No Surge Current, Wire to base Technology
- Up to 2 x 20mm cable entries, ABS FR construction



C&S Industrial Signalling



- Max sound output up to 120 db (A) / 1 m
 - Ingress protection to IP65
- Flame retardant ABS enclosure
 - Stainless steel fixings
 - 2 stage alarm
- Robust, reliable and simple to install



Ex Devices – Ex d

- Sound output up to 120 db (A) / 1 m
 - ATEX/IECEX
 - Ingress protection to IP65
 - SS316 or GRP Enclosures
 - Stainless steel fixings
- Telephone initiate and sound stages
- Robust, reliable and simple to install



Ex Devices – Ex i



- Max sound output up to 110 db (A) / 1 m
 - ATEX/IECEX
 - Ingress protection up to IP66
 - Flame retardant ABS enclosure
 - Stainless steel fixings
 - Market leading specification
- Robust, reliable and simple to install





Thank you for listening

www.moflash.com

